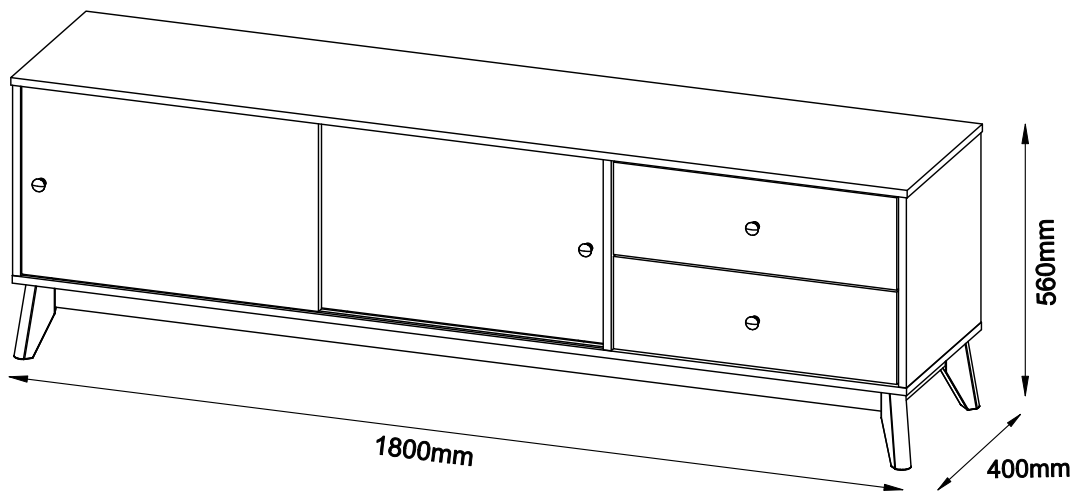


ASSEMBLY INSTRUCTION
COPPERS
ENTERTAINMENT UNIT

ITEM CODE 86518



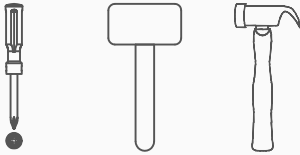





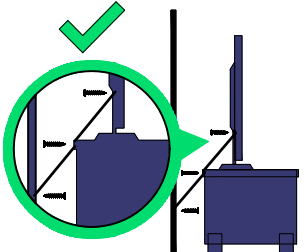
Imported by JWA Furniture Pty Ltd, Qld, Brisbane Australia
For any assistance with assembly or for missing parts please refer to your receipt

PRE-ASSEMBLY PREPARATION


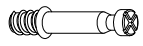
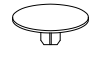
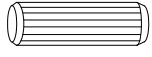




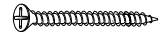
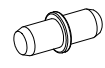
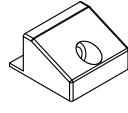


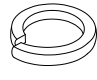

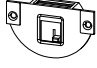

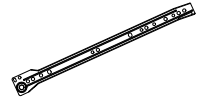
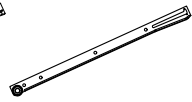

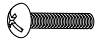
Before you start:

1. Choose a clean, level, spacious assembly area. Avoid hard surfaces that may damage the product.
2. Take care when lifting. Product should be assembled as near as possible to the point of use.
3. Ensure that you have all required contents for complete assembly.
4. Always read the assembly instructions carefully before beginning assembly.
5. Keep all hardware parts and packaging out of reach of small children.
6. Do not over tighten the screws and bolts as this may damage the threads.
7. Assembly is to be carried out by a competent adult(s) ONLY.
8. During assembly, children should be kept away from the product due to possible risk to injury.
9. Do not use this item if any components are missing or damaged.
10. Please keep the instructions for future reference.

	
ALLOW 60 MINUTES	PEOPLE REQUIRED
	
ADDITIONAL TOOL REQUIRED	

 WARNING		
		<p>Children have died from furniture tipover.</p> <ul style="list-style-type: none">• NEVER allow children to stand, climb or hang on drawers, doors, or shelves.• ALWAYS secure your television with an anchor device or mount the television on a wall. <p>This is a permanent label. Do not remove!</p>

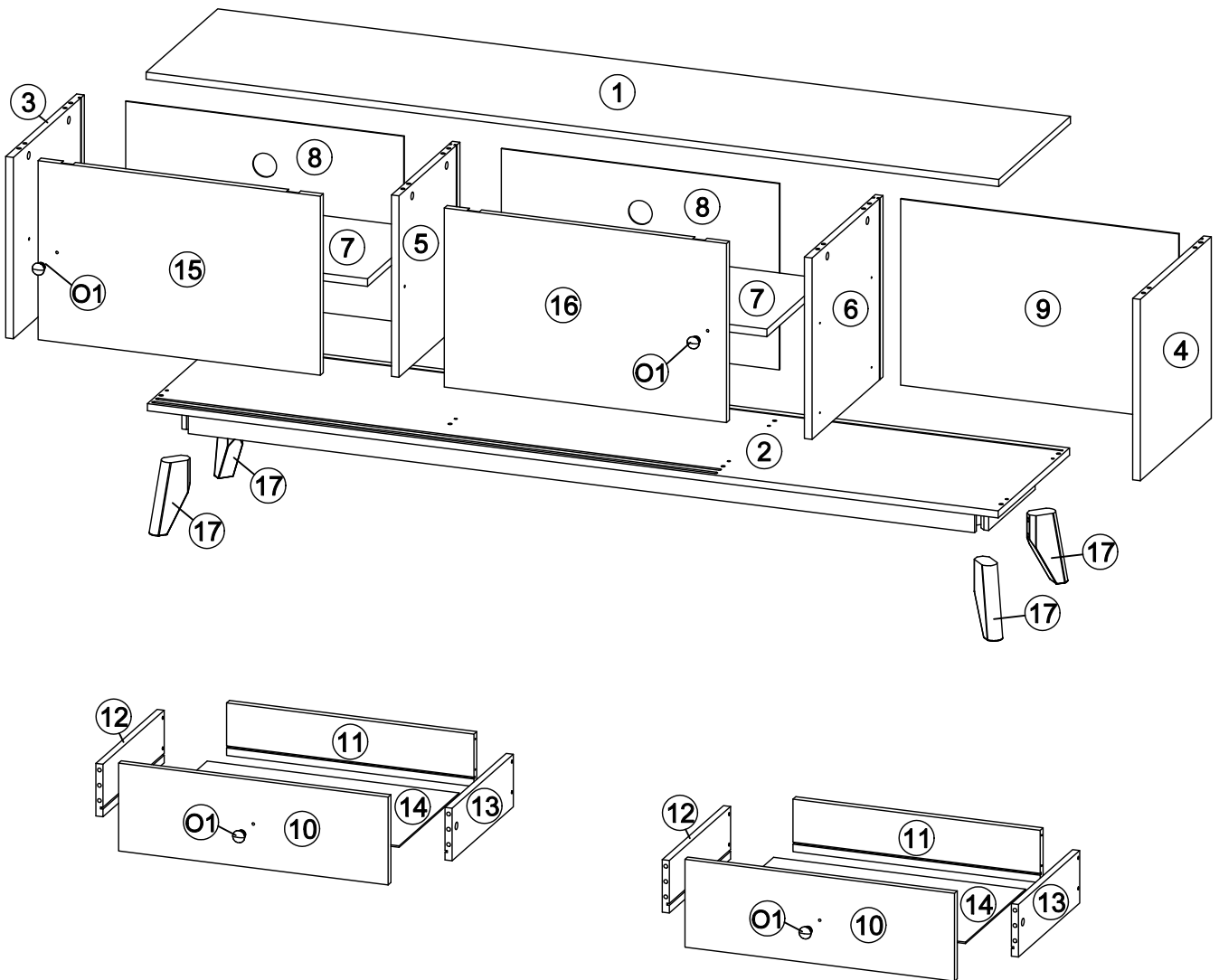
PARTS LIST

<p>(A) X 12 SETS</p> <div style="display: flex; justify-content: space-around; align-items: center;">    </div> <p style="text-align: center;">A1 A2 A3 MINIFIX</p>	<p>(B) X 24</p>  <p style="text-align: center;">WOOD DOWEL M8 X 30</p>	<p>(C) X 8</p>  <p style="text-align: center;">M6 X 50MM CSK CAP WOOD SCREW</p>	<p>(D) X 1</p>  <p style="text-align: center;">ALLEN KEY M4</p>	<p>(E) X 16</p>  <p style="text-align: center;">M3 X 12MM C.B SCREW</p>	
<p>(F) X 24</p>  <p style="text-align: center;">M3.5 X 16MM C.B SCREW</p>	<p>(G) X 8</p>  <p style="text-align: center;">M4 X 38MM C.B SCREW</p>	<p>(H) X 8</p>  <p style="text-align: center;">METAL SHELF SUPPORT</p>	<p>(I) X 10 SETS</p> <div style="display: flex; justify-content: space-around; align-items: center;">   </div> <p style="text-align: center;">I1 I2 STUB 192 WITH SCREW</p>		<p>(J) X 8</p>  <p style="text-align: center;">M6 X 70MM JCBC SCREW</p>
<p>(K) X 8</p>  <p style="text-align: center;">M6 SPRING WASHER</p>	<p>(L) X 8</p>  <p style="text-align: center;">M6 X 20MM FLAT WASHER</p>	<p>(M) X 4 SET</p> <div style="display: flex; justify-content: space-around; align-items: center;">   </div> <p style="text-align: center;">M1 M2 U 480 ROLLER TOP & BOTTOM</p>		<p>(N) X 2 SETS</p> <div style="display: flex; justify-content: space-around; align-items: center;">   </div> <p style="text-align: center;">N1 N2 DRAWER SLIDE 14"</p>	
<p>(O) X 4 SETS</p> <div style="display: flex; justify-content: space-around; align-items: center;">   </div> <p style="text-align: center;">O1 O2 HANDLE KNOB YK279 (B) WITH SCREW M4 X 20MM</p>					

PARTS LIST

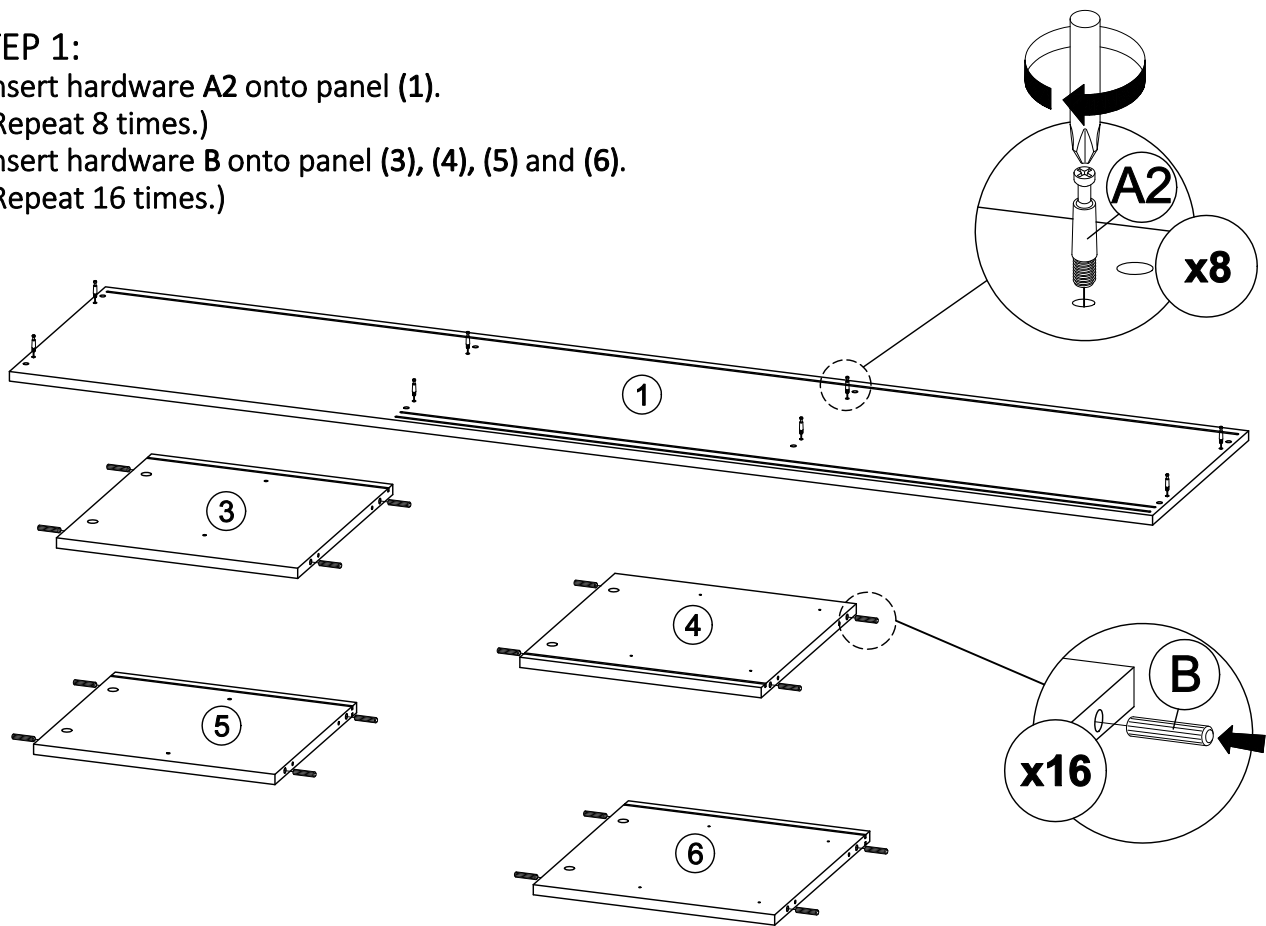
1	TOP PANEL	1 PC
2	BOTTOM PANEL	1 PC
3	SIDE PANEL (L)	1 PC
4	SIDE PANEL (R)	1 PC
5	CENTER PANEL (L)	1 PC
6	CENTER PANEL (R)	1 PC
7	SHELF PANEL	2 PCS
8	BACK PANEL	2 PCS
9	BACK PANEL (R)	1 PC

10	DRAWER FRONT	2 PCS
11	DRAWER BACK	2 PCS
12	DRAWER SIDE (L)	2 PCS
13	DRAWER SIDE (R)	2 PCS
14	DRAWER BOTTOM	2 PCS
15	SLIDING DOOR (L)	1 PC
16	SLIDING DOOR (R)	1 PC
17	CABINET LEG	4 PCS



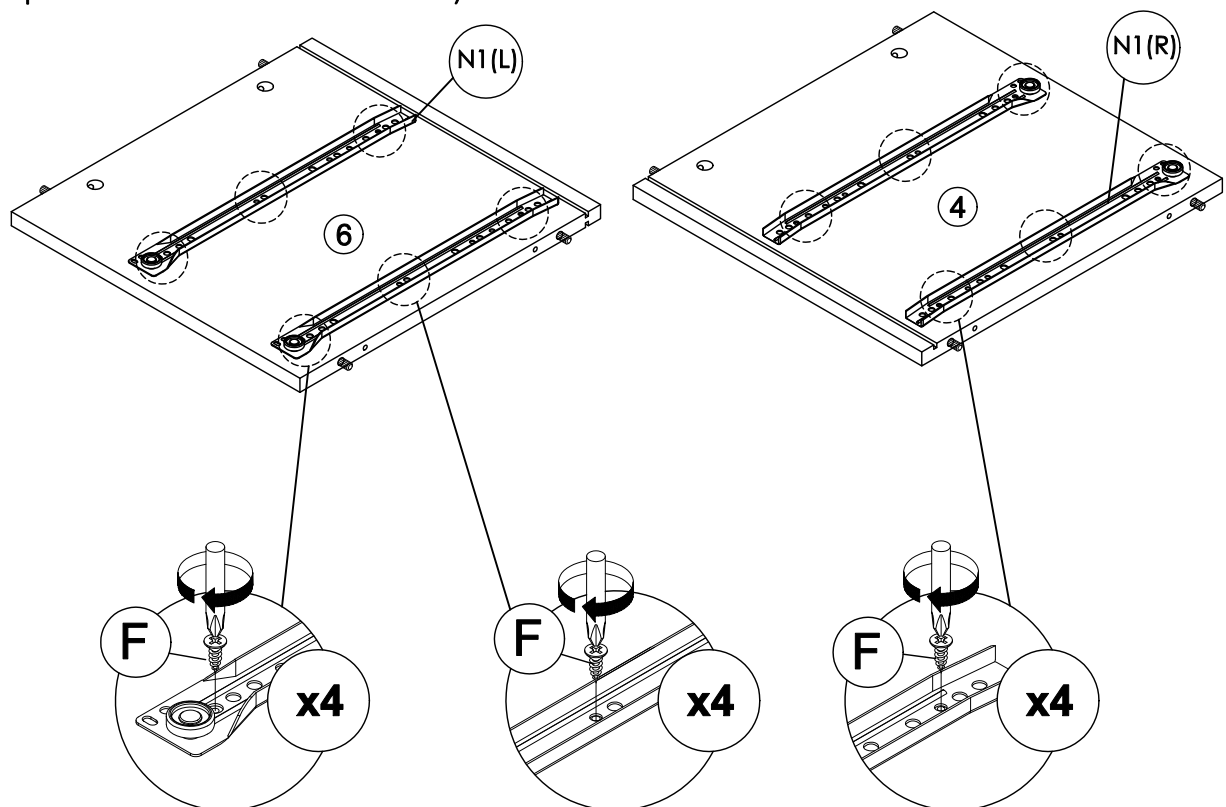
STEP 1:

- Insert hardware **A2** onto panel (1).
(Repeat 8 times.)
- Insert hardware **B** onto panel (3), (4), (5) and (6).
(Repeat 16 times.)



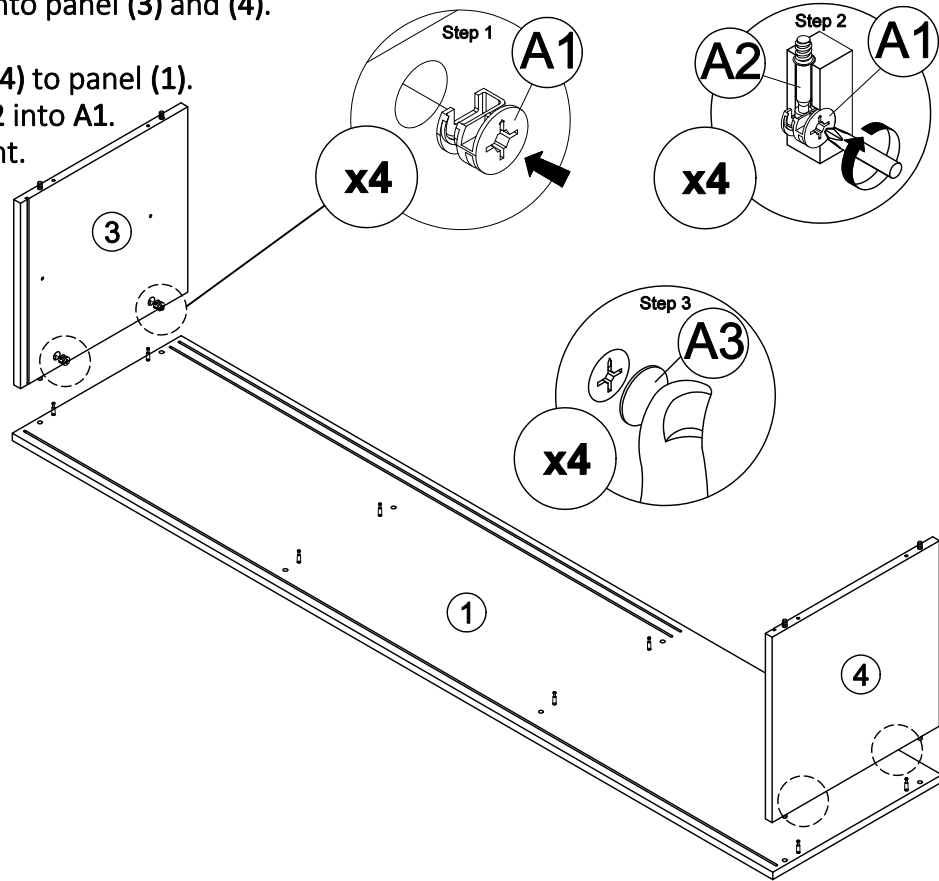
STEP 2:

- Fix hardware **N1 (L/R)** into panel (4) and (6) with hardware **F**.
(Repeat 3 times for each hardware.)



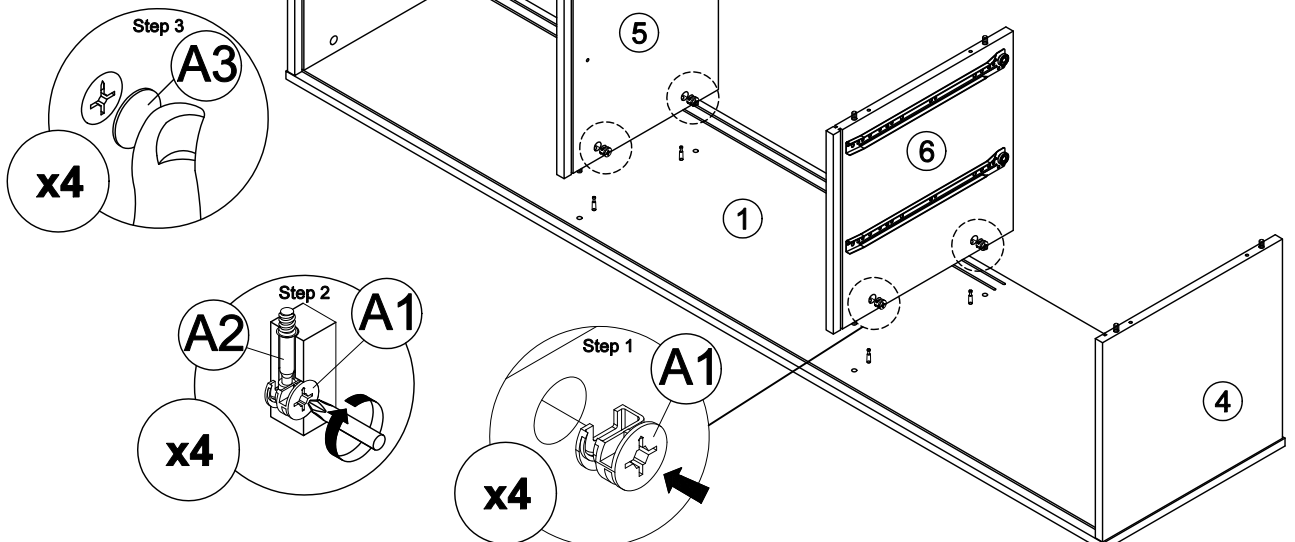
STEP 3:

- Insert hardware A1 onto panel (3) and (4).
(Repeat 4 times.)
- Attach panel (3) and (4) to panel (1).
- Insert all hardware A2 into A1.
- Rotate all A1 until tight.
- Apply A3 onto all A1.
(Repeat 4 times.)



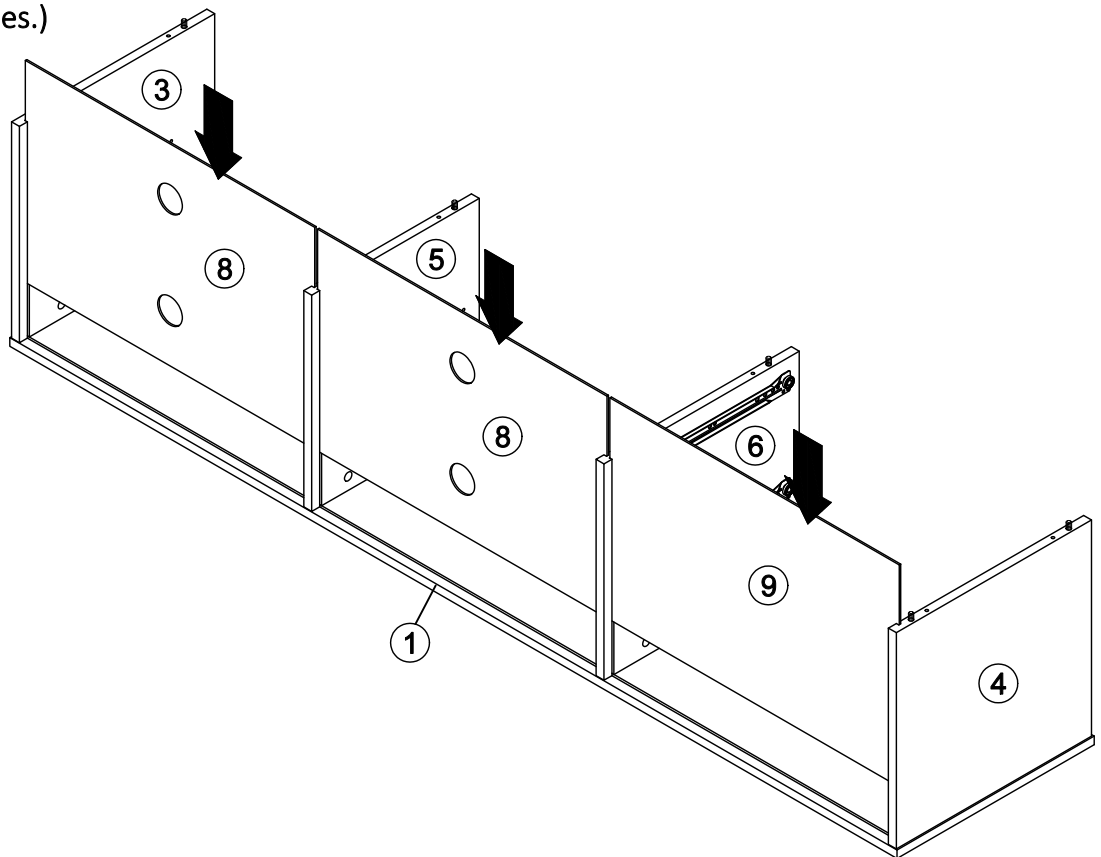
STEP 4:

- Insert hardware A1 onto panel (5) and (6).
- (Repeat 4 times.)
- Attach panel (5) and (6) to panel (1).
- Insert all hardware A2 into A1.
- Rotate all A1 until tight.
- Apply A3 onto all A1.
(Repeat 4 times.)



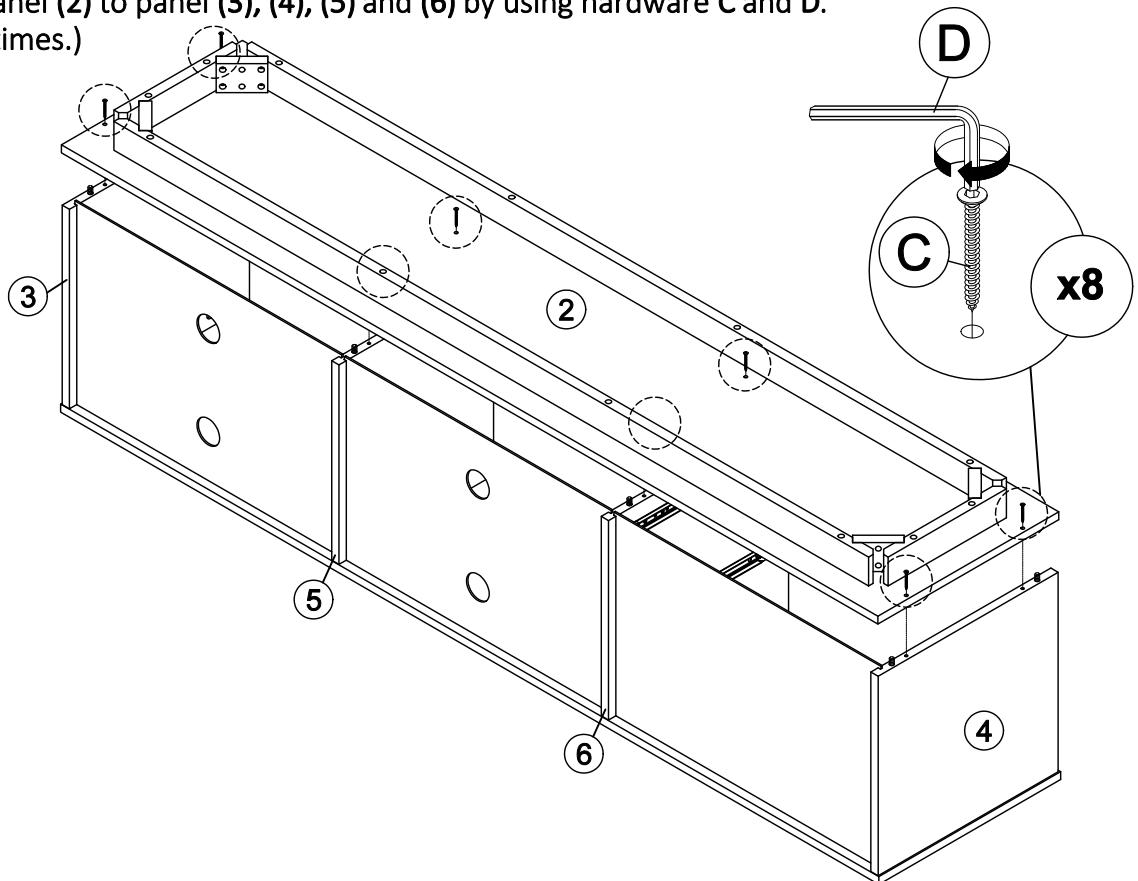
STEP 5:

- Insert the panel (8) and (9) along the slot.
(Repeat 3 times.)



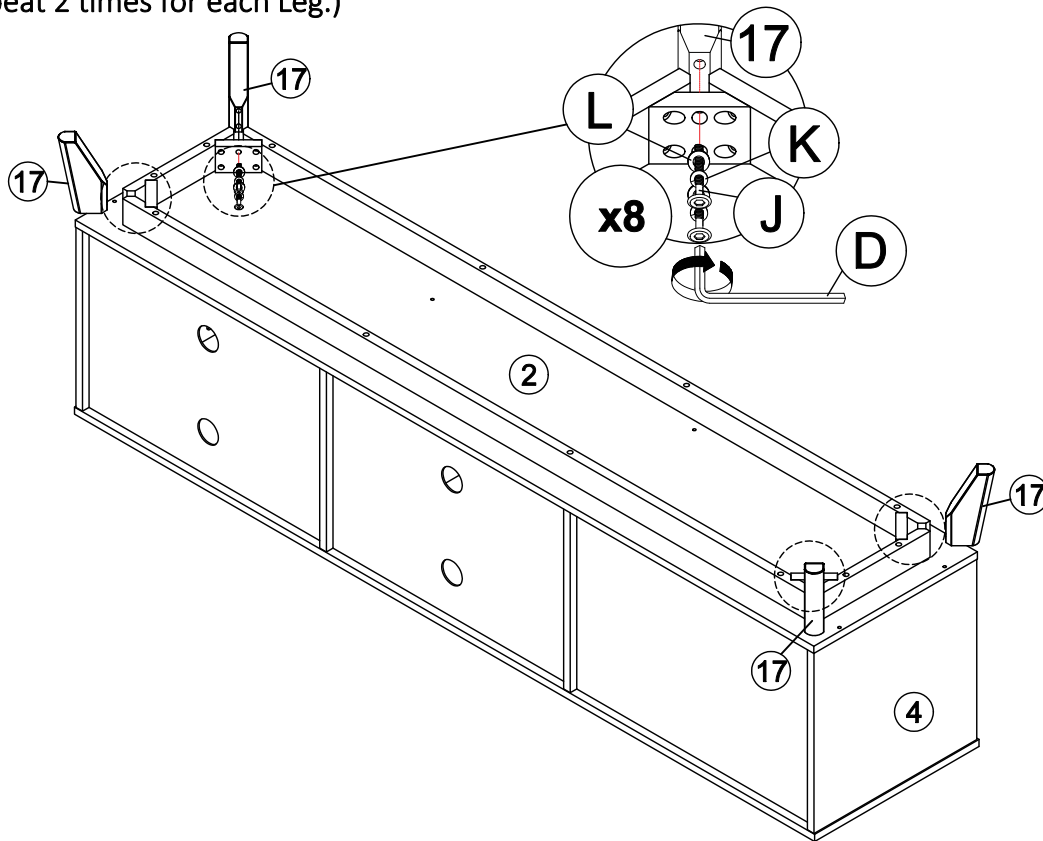
STEP 6:

- Connect panel (2) to panel (3), (4), (5) and (6) by using hardware C and D.
(Repeat 8 times.)



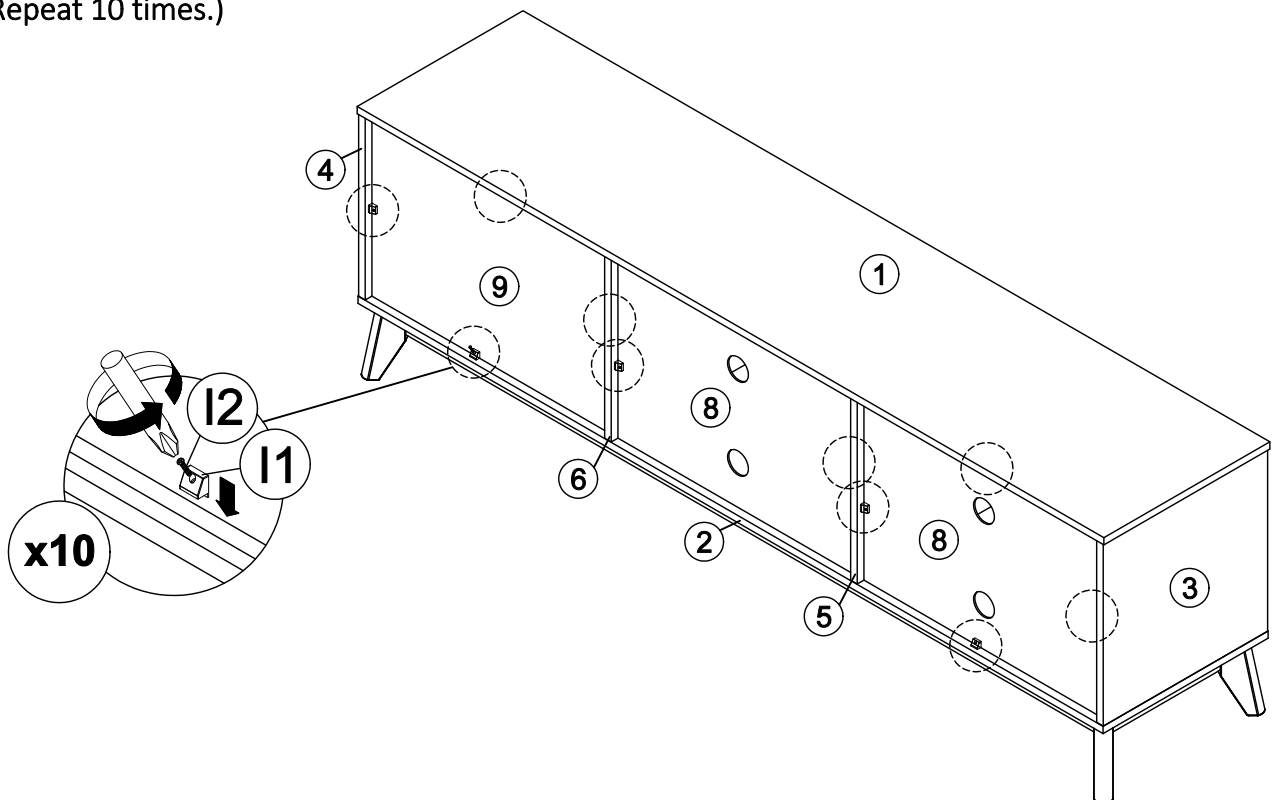
STEP 7:

- Fix panel (17) to panel (2) using hardware D, J, K and L.
(Repeat 2 times for each Leg.)



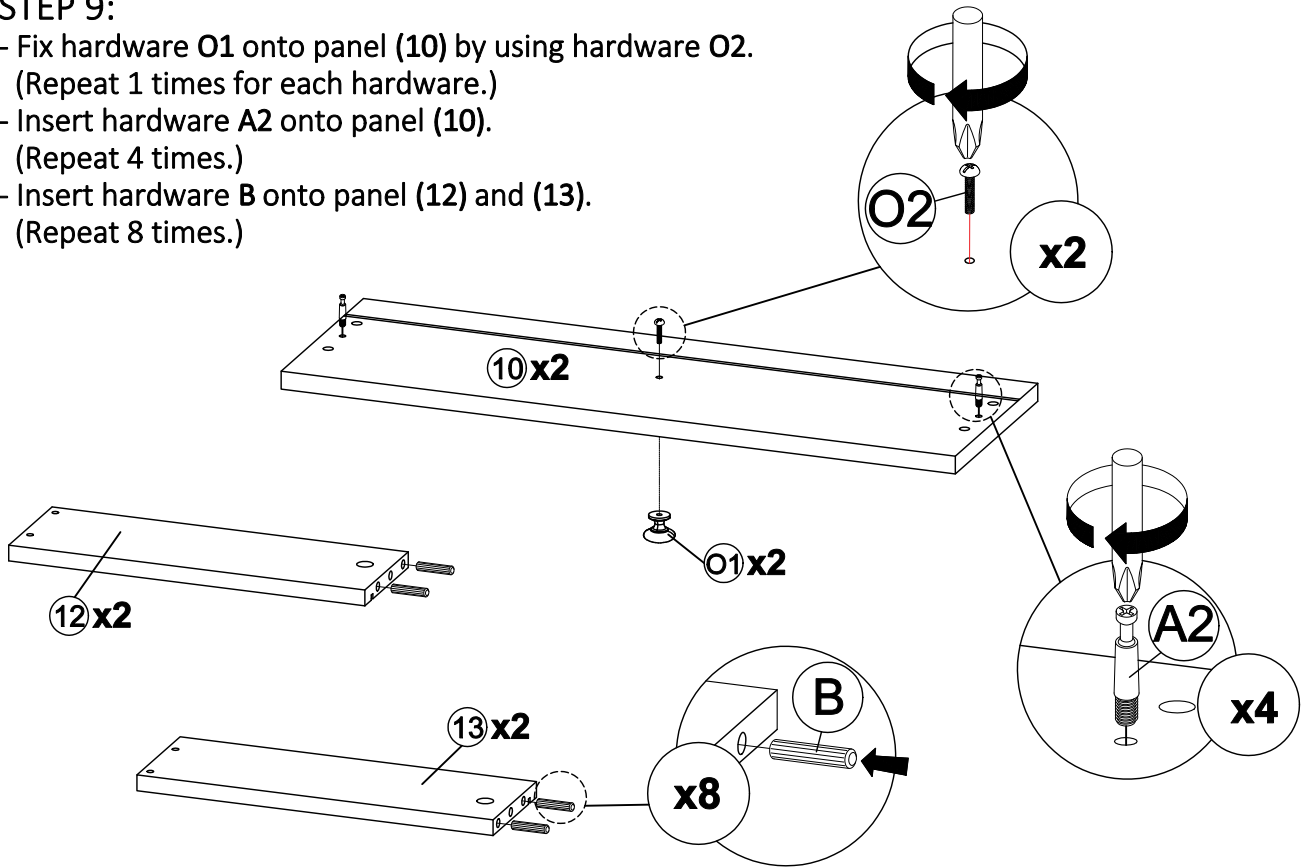
STEP 8:

- Insert hardware I1 into slot at panel (1), (2), (3), (4), (5) and (6).
- Assemble hardware I1 by using hardware I2.
(Repeat 10 times.)



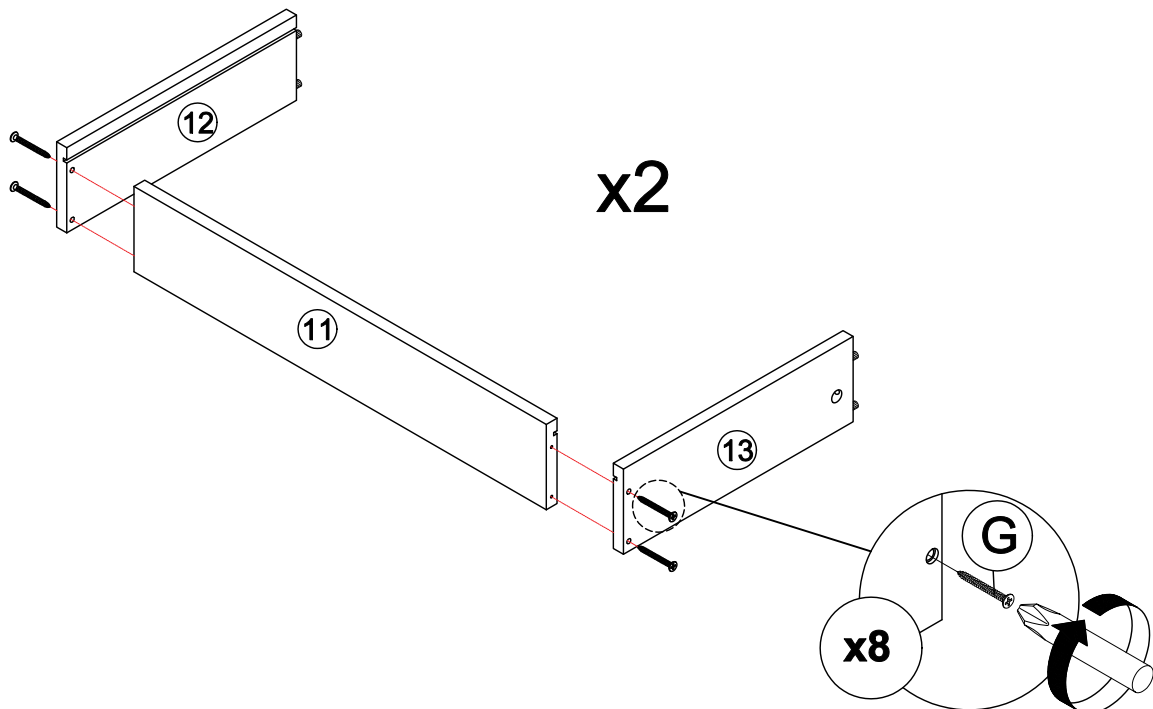
STEP 9:

- Fix hardware O1 onto panel (10) by using hardware O2.
(Repeat 1 times for each hardware.)
- Insert hardware A2 onto panel (10).
(Repeat 4 times.)
- Insert hardware B onto panel (12) and (13).
(Repeat 8 times.)



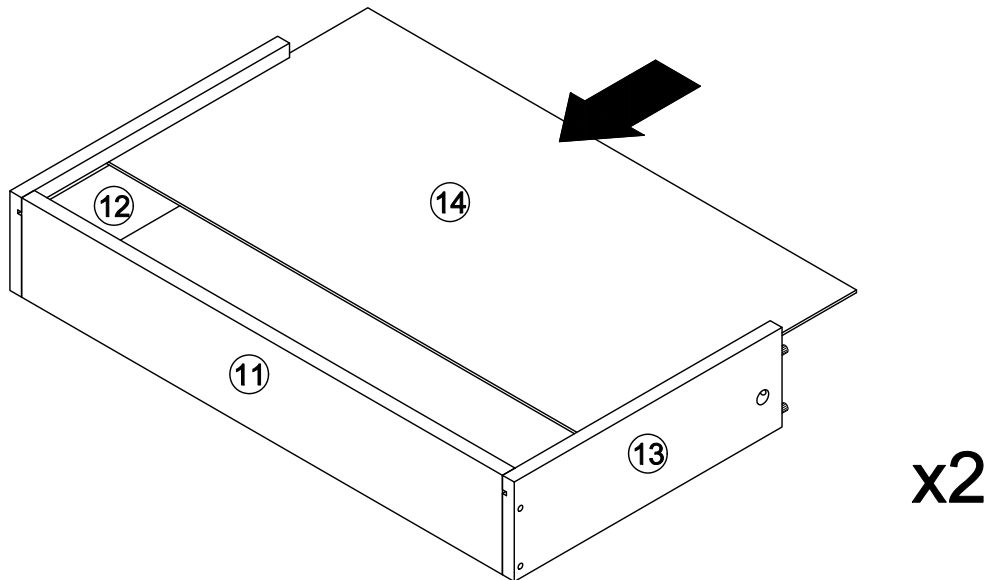
STEP 10:

- Assemble panel (12) and (13) with panel (11) by using hardware G.
(Repeat 4 times for each drawer.)



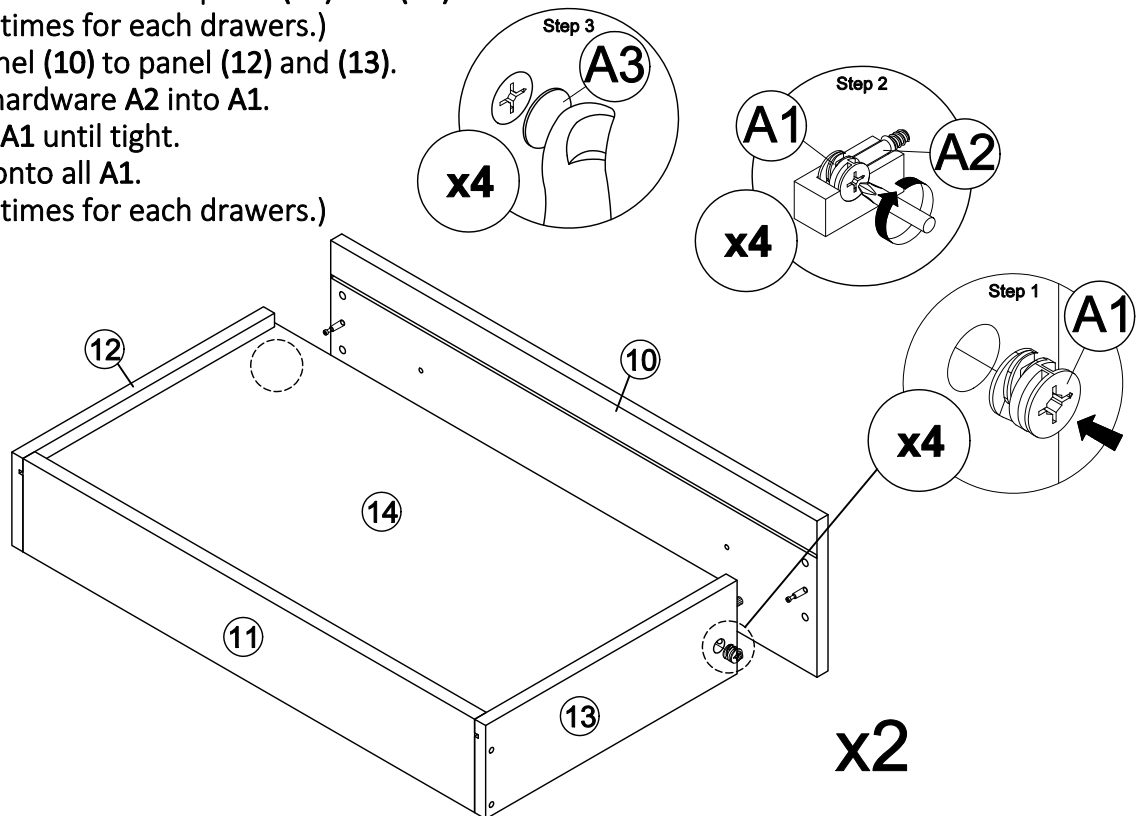
STEP 11:

- Insert panel (14) along the slot.
(Repeat 1 times for each drawers.)



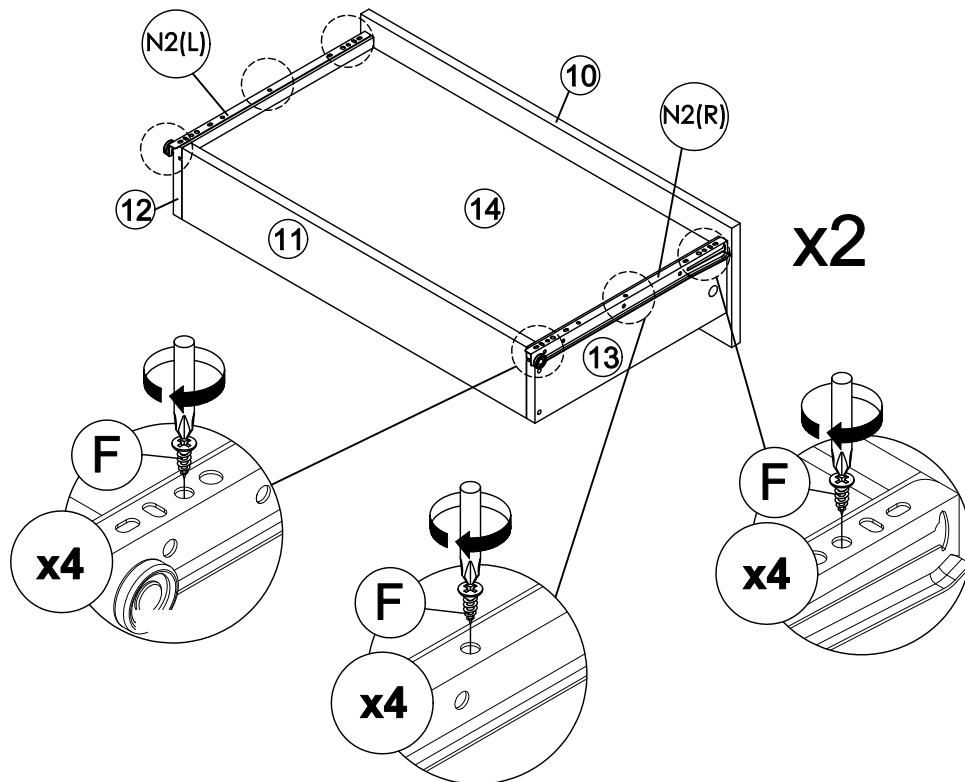
STEP 12:

- Insert hardware A1 onto panel (12) and (13).
(Repeat 2 times for each drawers.)
- Attach panel (10) to panel (12) and (13).
- Insert all hardware A2 into A1.
- Rotate all A1 until tight.
- Apply A3 onto all A1.
(Repeat 2 times for each drawers.)



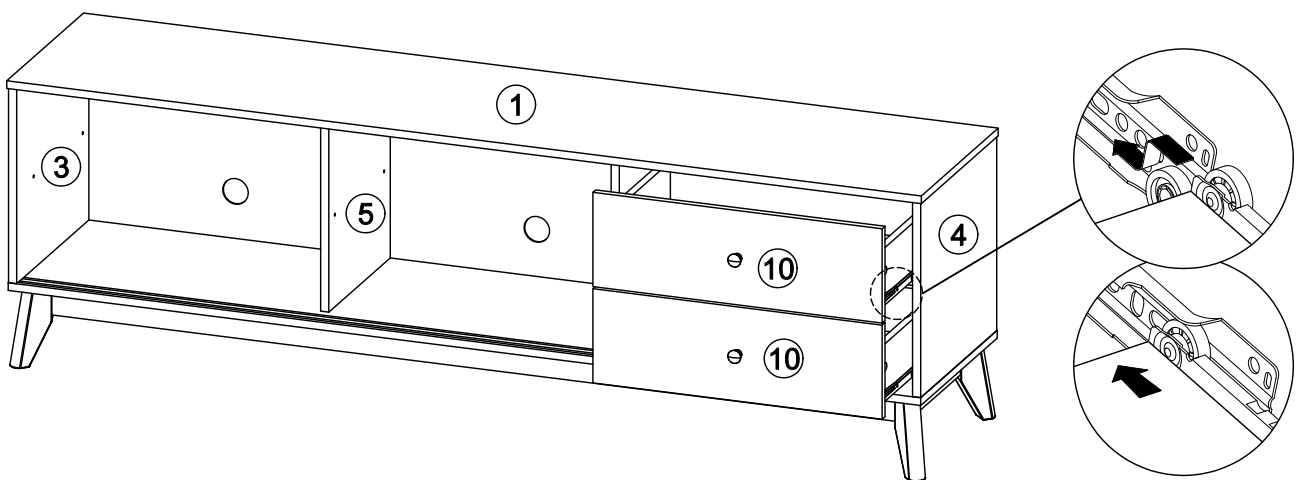
STEP 13:

- Assemble hardware N2 (L/R) to panel (12) and (13) by using hardware F.
(Repeat 3 times for each hardware.)



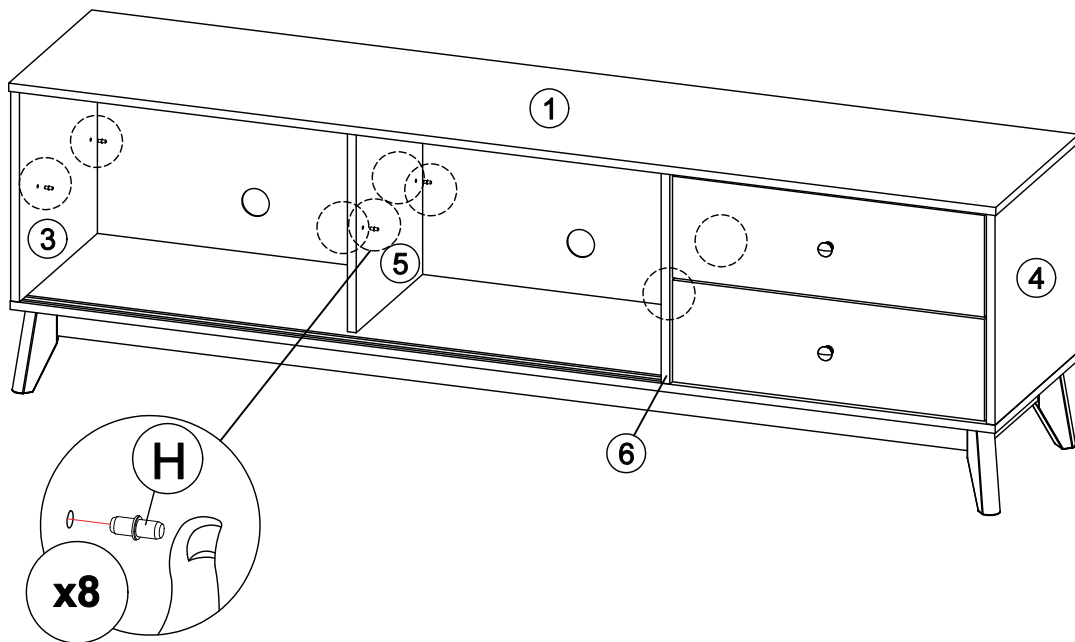
STEP 14:

- Put all the drawer in place along the drawer slides.



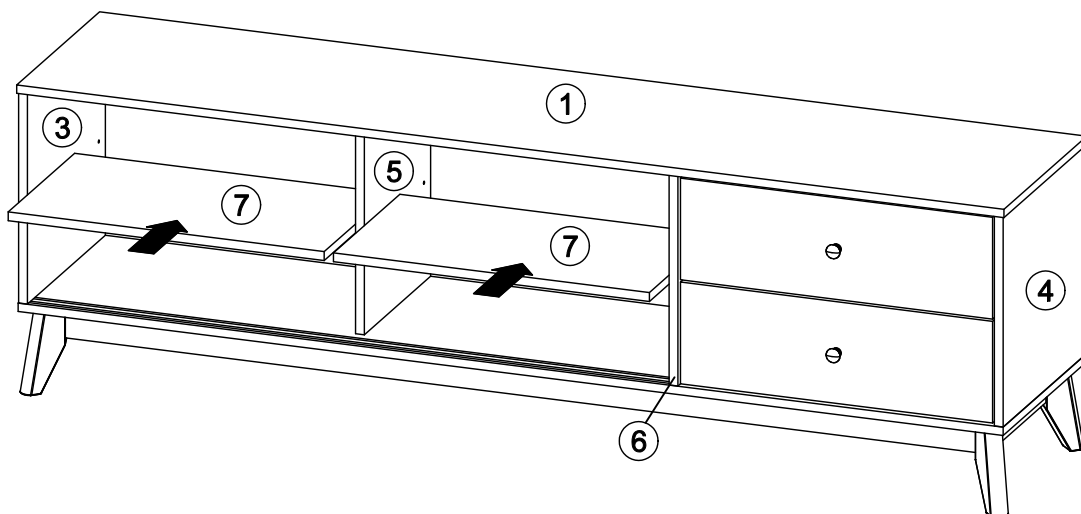
STEP 15:

- Insert hardware H into mounting positions on panel (3), (5) and (6) by hand.
(Repeat 8 times.)



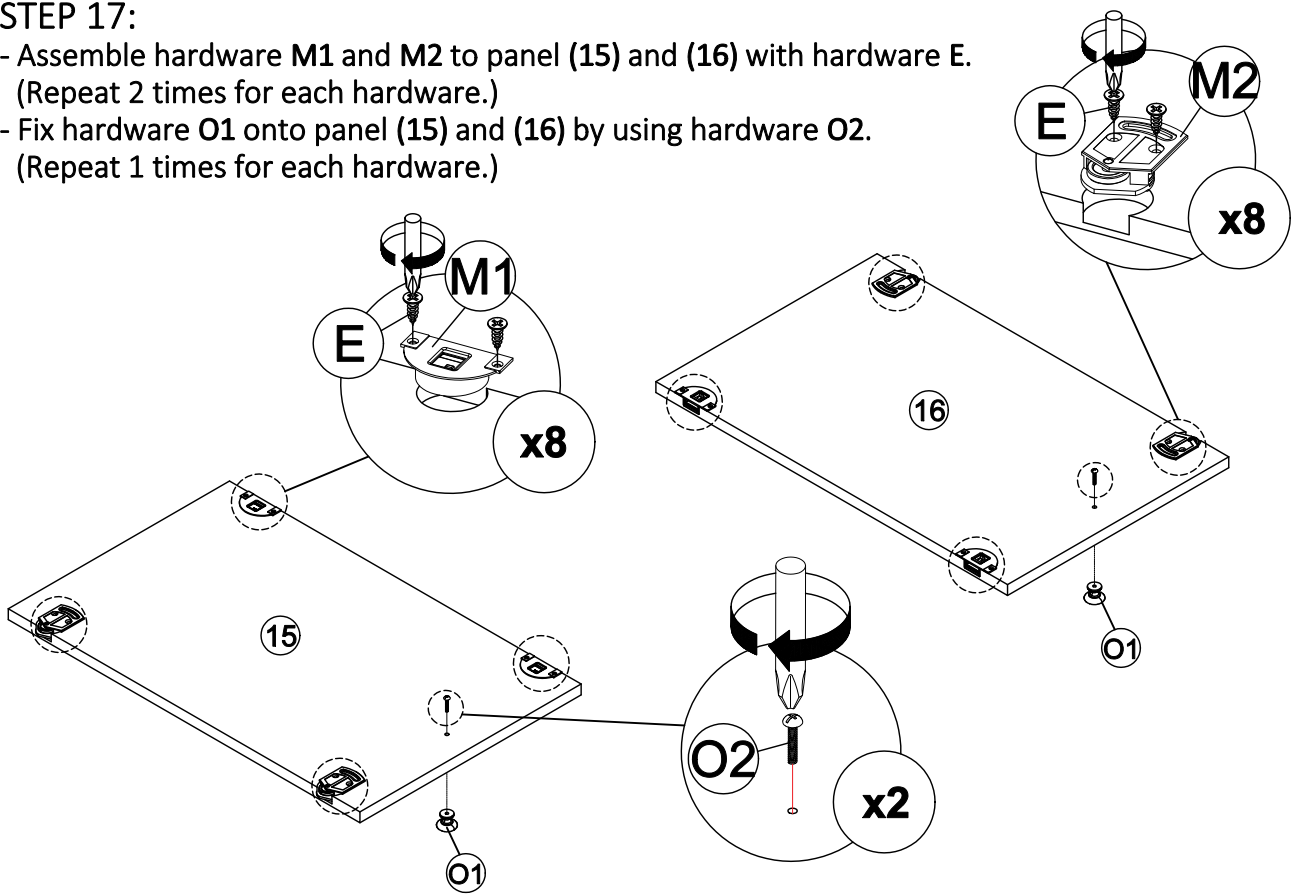
STEP 16:

- Assemble the panel (7) into between panel (3) and (5).
- Assemble the panel (7) into between panel (5) and (6).



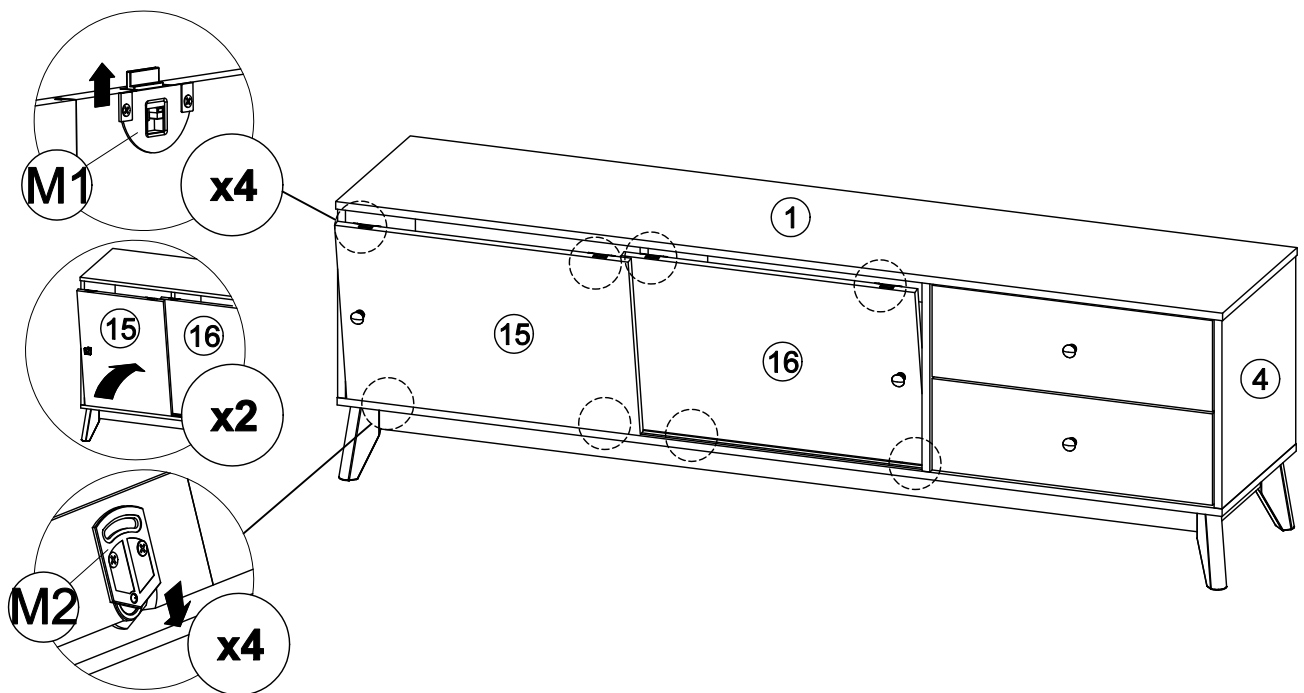
STEP 17:

- Assemble hardware M1 and M2 to panel (15) and (16) with hardware E.
(Repeat 2 times for each hardware.)
- Fix hardware O1 onto panel (15) and (16) by using hardware O2.
(Repeat 1 times for each hardware.)

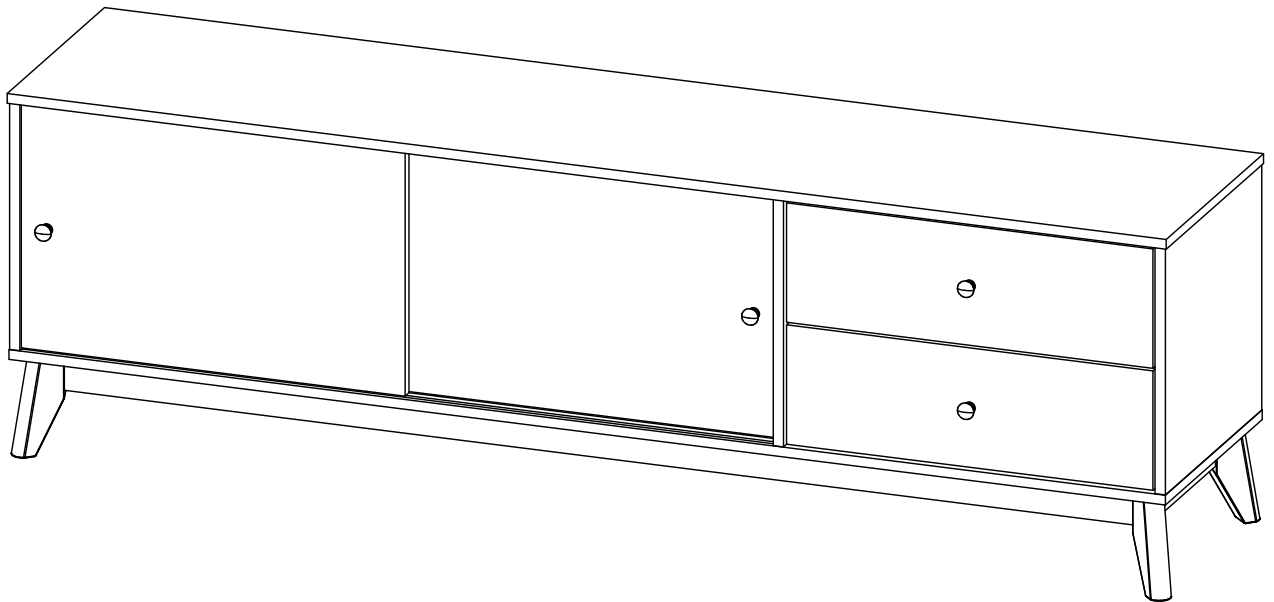


STEP 18:

- Put the panel (15) and (16) in place.
(Repeat 2 times.)



ASSEMBLY IS COMPLETE



SAFETY BRACKETS INSTRUCTIONS

1. Attach one Metal Bracket to the wall with the Wall Screw. Make sure to attach the Metal Bracket into a stud. If mounting into brick or masonry you will need to acquire wall anchors.
2. Attach the second Metal Bracket to the back of furniture frame with the Pan Head Screws.
3. Move the furniture to its final position. Thread a Cable Tie through the both Metal Bracket and tighten until snug. Do not over tighten.
4. Make sure that the Metal Bracket are firmly attached to the wall and furniture and that the Cable Tie is snug.

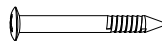
HARDWARE



Metal Bracket
X4



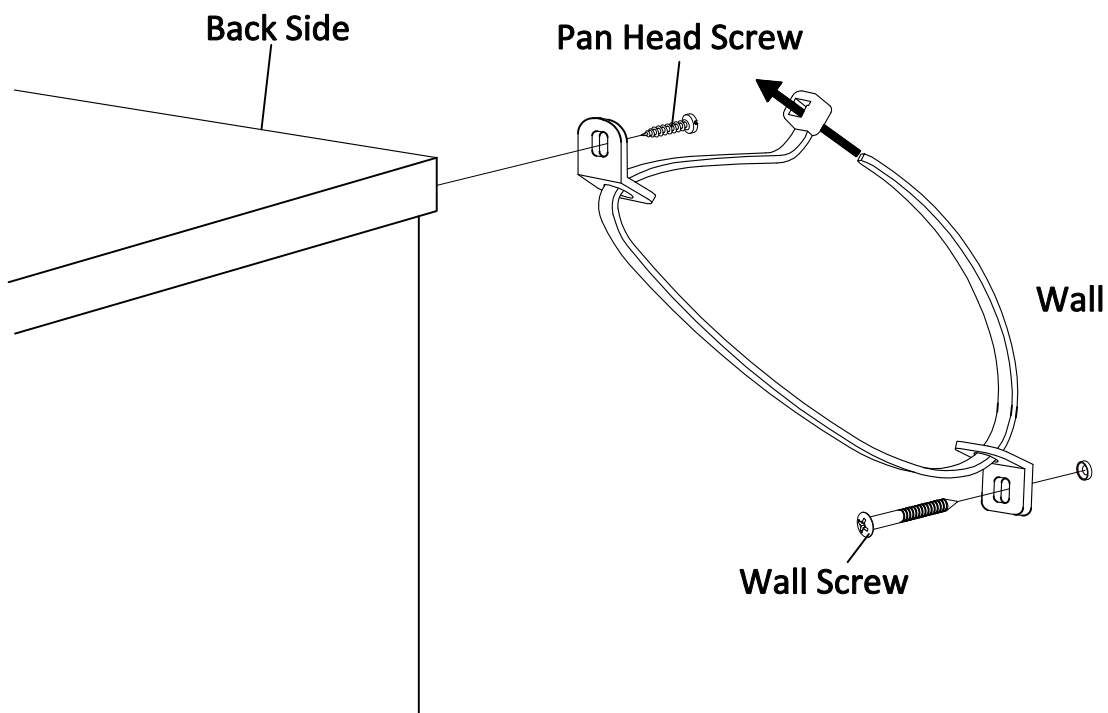
Cable Tie
X2



Wall Screw
X2



Pan Head Screw
X2



CARE AND MAINTENANCE

To protect your furniture, we suggest the following :

- Avoid placing your furniture in direct sunlight.
- Do not place furniture directly under window.
- Do not place sharp materials (knife, fork, etc.) directly onto your furniture as sharp material may scrape and damage the finish.
- Do not place material with high temperature directly onto the surface of your furniture.
- Clean up spills quickly. Water left over a prolonged period of time may cause damage. Alcohol, perfume, nail polishes, aftershave and some medication may cause server finish damage if not cleaned immediately.
- Use a clean, soft, dry, lint free absorbent cloth to clean your furniture. Do not use any detergent as they may contain ingredients that may react and damage the finish.

NOTE: If the above care advise is not adhered to your product warranty may become void.